

Multi-ID Scanner

Applications

*Passport Reading
Identification
Security
Visitor Management*

Features

- ◆ Imaging double face (600dpi Full color, IR, UV)
ID-1 (Identity Card)
ID-2 (Passport Card, Visa)
ID-3 (Passport)
- ◆ Communicating RFID supported BAC process
Future support of SAC process
- ◆ Front camera to read mobile phone barcode
(QR code) image
- ◆ Extension USB port x 2
- ◆ Case Color: Black or Beige

Recognition

- ◆ OCR defined by ISO/IEC 17501 (ICAO Doc. 9303) Standards

Interface

- ◆ USB 2.0 High Speed
- ◆ Thin client support via extension Ethernet adaptor

Extended Functions

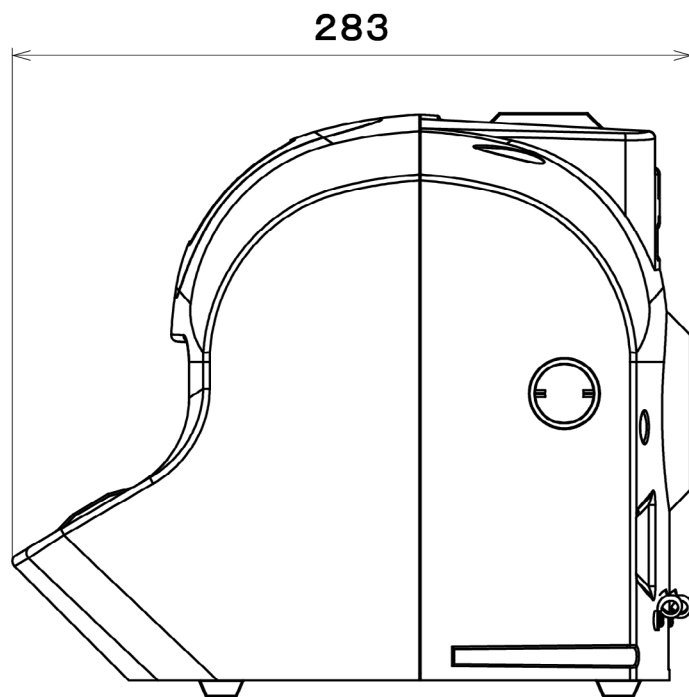
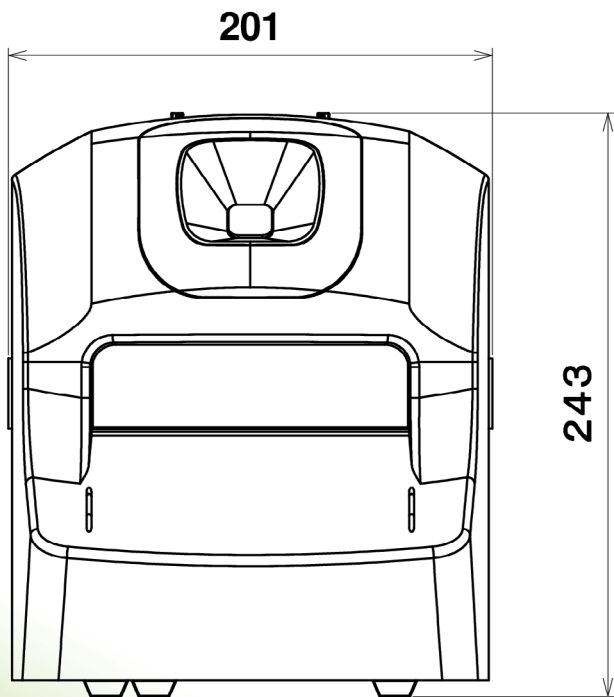
- ◆ Add-on NFC reader available (EMV Approved)
- ◆ Extension USB port to support webcam

ISI300-0231



ISO9001 & ISO14001 Certified

NIDEC SANKYO CORPORATION
www.nidec-sankyo.co.jp



**NIDEC SANKYO
AMERICA CORPORATION**
275 Northridge Drive
Shelbyville, IN 46176 USA
Tel: (317) 421-2220
crdsales@us.nidec-sankyo.com

**NIDEC SANKYO
EUROPE GmbH**
Mollsfeld 1, D-40670
Meerbusch - Germany
Tel: +49 (0) 2159-69 58-0
crdsales@nidec-sankyo.de

ISO9001 & ISO14001 Certified



NIDEC SANKYO CORPORATION
www.nidec-sankyo.co.jp